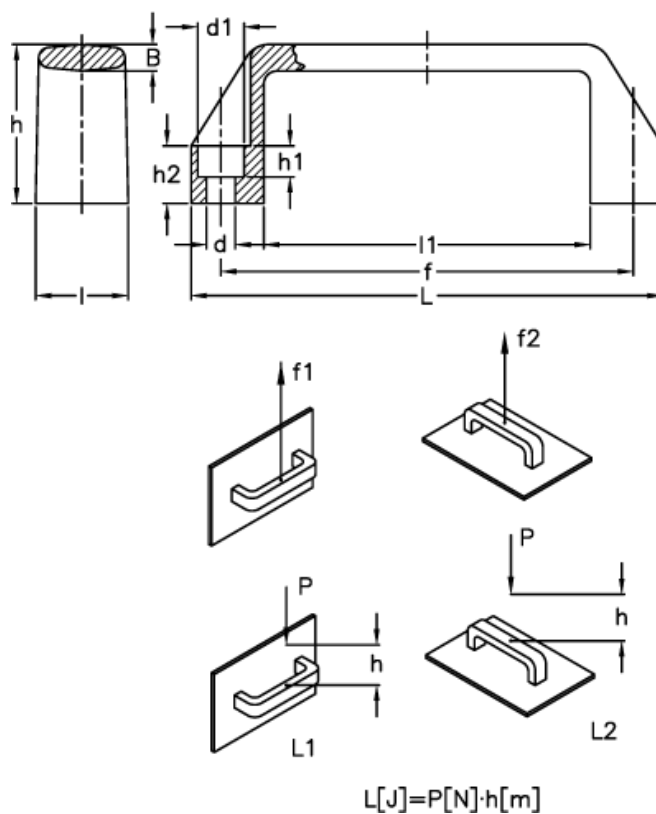


# Data Sheet



Article number: 2304037202  
Description: E+G Handle  
M.443/200-CH, Orange

## Measures



$B$	= 8.0	$h2$	= 17
$d$	= 8.5	$l$	= 28
$d1$	= 13.5	$L$	= 197
$f$	= 179 +/- 1	$l1$	= 153
$F1$ (N)	= 2800	$L1$ (J)	= 28
$F2$ (N)	= 2700	$L2$ (J)	= 17
$h$	= 50		
$h1$	= 8.5		